

SPECIFICATIONS

Modular Jack

Mechanical

Mating Force: 4Pounds max.(RJ45) 7.88Pounds max.(USB)
Unmating Force: 10Pounds max.(RJ45) 2.25Pounds min.(USB)
Durability: 1000 Cycles(RJ45) 1500 Cycles(USB)

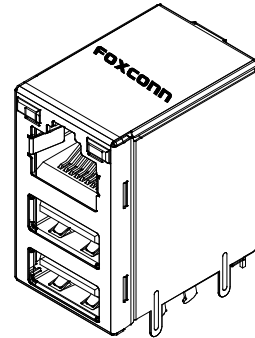
Electrical

Current Rating: 0.5A max.(RJ45) 1.0A(USB)
Dielectric Withstanding Voltage: 1000V(RJ45) 750V(USB)
Insertion Loss: -1.0dB max @1-100MHz
Return Loss: -12dB min @1-80MHz
Cross Talk: -35dB min @1-65MHz

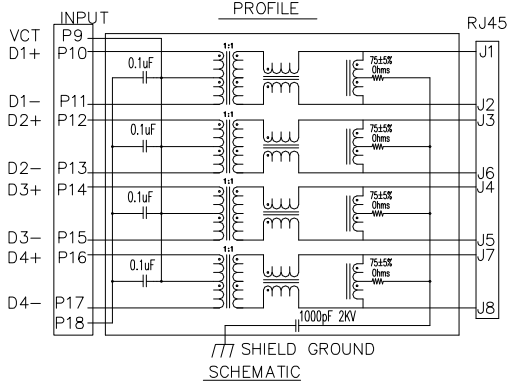
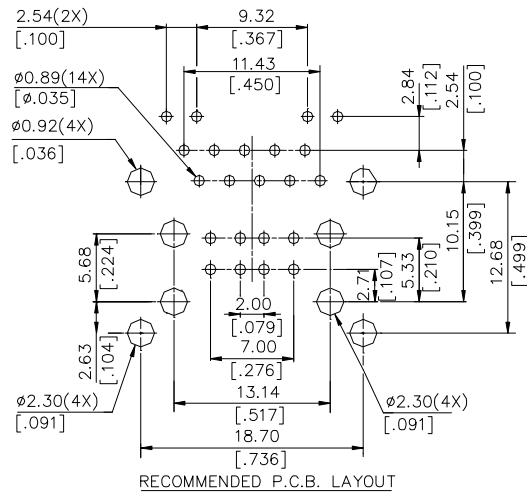
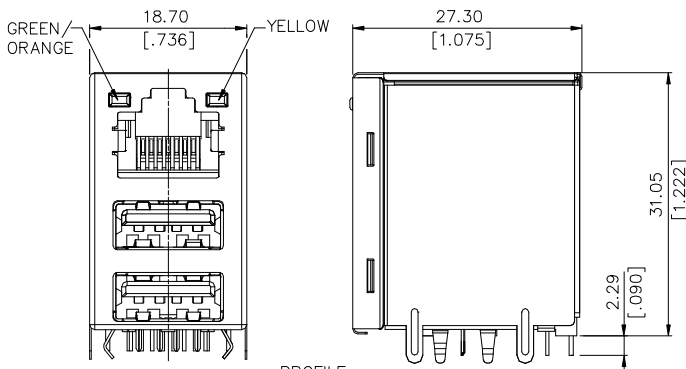
Physical

Housing: Thermoplastic, UL 94V-0 rated in Black Color
Contact: Copper Alloy
Shell: Copper Alloy
Operating Temperature: 0 to +70

JFM Series
RJ45 Over Dual USB
R/A, T/H Type
1.27mm [.050"] Pitch
10/1000 Base-T



DRAWING



ORDERING INFORMATION

PRODUCT NO.: JFM 3 1 U 1 B - 01U4 W

Series Prefix: JFM=Jack with Magnetics
 Protocol Type: 3=10/1000 Base T
 Core Count: 5=5 Core
 Configuration: U=Combo USB
 Packaging: W=Tray
 Extension Code
 LEDS: Green/Orange-Yellow
 PCB Attachment Metho: 1=Solder Tail

JFM31U1B-01U4W	GREEN/ ORANGE	YELLOW
P/N	LEFT	RIGHT